

Maximatic® filters remove moisture and contaminants, and provide air filtration through a 25 micron filter. Replacement 25 micron and 5 micron filters are available.

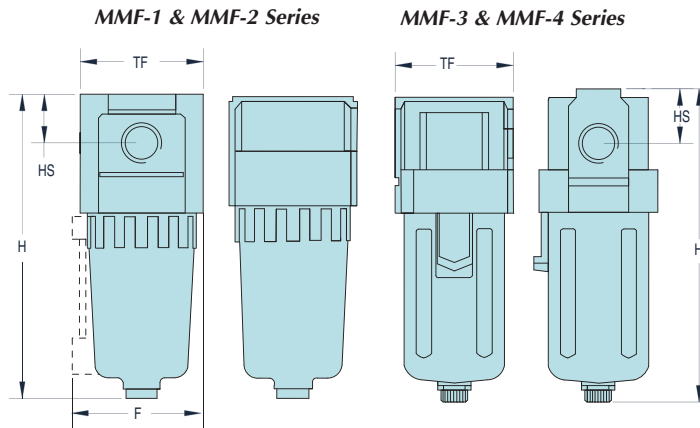
- Semi-automatic drain standard on MMFRLS-3/4/5 series. Manual drain standard on all others. Optional Automatic Drain available—add “-D” to Part Number.

Bowl: Polycarbonate standard. Cast steel shield provided on models indicated. Metal bowl with sight gauge also available, add “-M” to the end of the Part Number.

Filtration: 25 micron filter standard. Add “-F5” to Part Number for optional 5 micron filter.



| Filter | F | H | HS | TF |
|-----------|-------------|--------------|-------------|-------------|
| MMF-1 | -- | 2.60 (66.0) | 0.28 (7.1) | 0.98 (24.9) |
| MMF-2 | 1.81 (50.0) | 3.84 (97.5) | 0.43 (10.9) | 1.57 (39.9) |
| MMF-3 | 2.26 (57.4) | 5.22 (132.6) | 0.55 (14.0) | 2.09 (53.1) |
| MMF-4W/4Z | 3.00 (76.2) | 6.63 (168.4) | 0.71 (18.0) | 2.76 (70.1) |
| MMF-4A-M | 3.00 (76.2) | 6.79 (172.5) | 0.79 (19.8) | 2.76 (70.1) |
| MMF-5B-M | 3.00 (76.2) | 9.74 (247.4) | 0.94 (23.9) | 3.54 (89.9) |



MAXIMUM
Value. ←
→ Performance.

| Part No. | Port | Flow Rate | Bowl Shield |
|------------------|----------|------------------------|-------------|
| <u>MMF-1N</u> | #10-32 | 4 scfm / 110 l/min | no |
| <u>MMF-2P</u> | 1/8" NPT | 26 scfm / 750 l/min | no |
| <u>MMF-2Q</u> | 1/4" NPT | 26 scfm / 750 l/min | no |
| <u>MMF-3Q</u> | 1/4" NPT | 70 scfm / 2,000 l/min | yes |
| <u>MMF-3W</u> | 3/8" NPT | 70 scfm / 2,000 l/min | yes |
| <u>MMF-4W</u> | 3/8" NPT | 140 scfm / 4,000 l/min | yes |
| <u>MMF-4Z</u> | 1/2" NPT | 140 scfm / 4,000 l/min | yes |
| <u>MMF-4A-M*</u> | 3/4" NPT | 210 scfm / 6,000 l/min | n/a |
| <u>MMF-5B-M*</u> | 1" NPT | 245 scfm / 7,000 l/min | n/a |

* Metal bowl standard